



Werkzeug für Buchse Hinterachslenker – Vauxhall/Opel

Part of a range of vehicle specific tools, for the removal and fitting of bushes and ball joints, without having to remove suspension legs, subframes, wishbones and trailing arms etc from the vehicle. Designed to be used in-situ, although many can also be used in a workshop press if circumstances require.

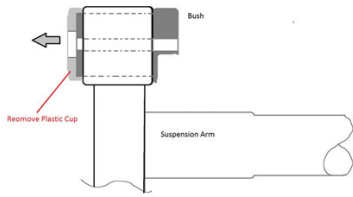


Additional Information

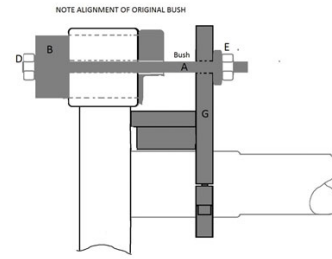
- Für den Austausch der Buchsen, während der Achslenker noch am Fahrzeug montiert ist
- Einsatzmöglichkeit: Astra 2004-2014, Meriva ab 2010 und Zafira 2005-2012
- OEM-Buchse 13267215
-
- Hergestellt in Sheffield

<http://lasertools.co.uk/product/6603>

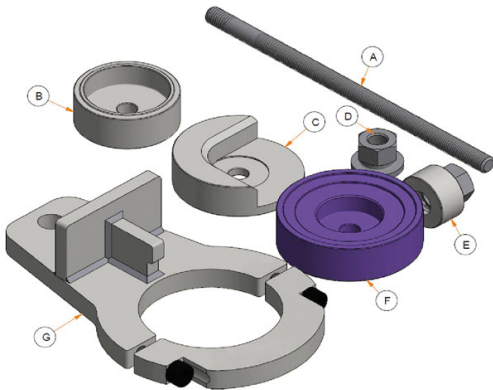
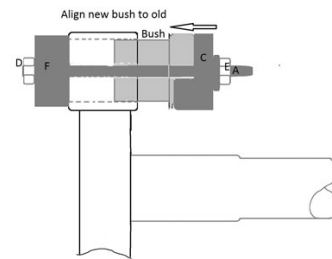




EXTRACTION:



INSERTION:



Bushes

